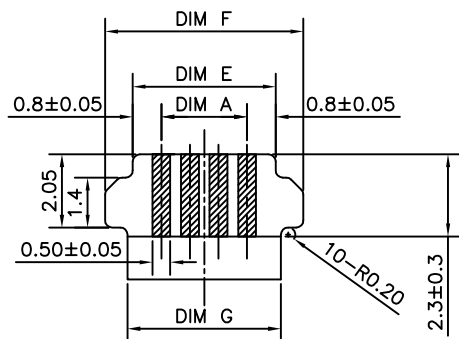
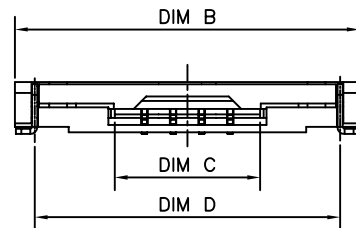
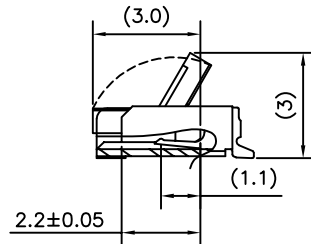
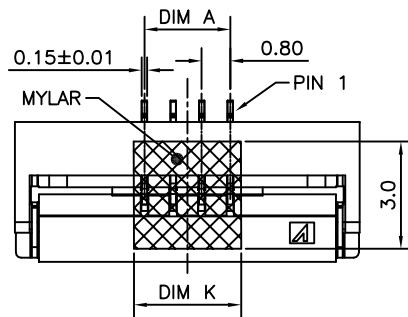
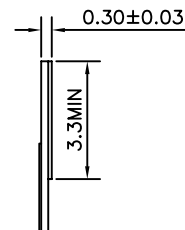


RECOMMENDED PCB LAYOUT
GENERAL TOLERANCE ± 0.05



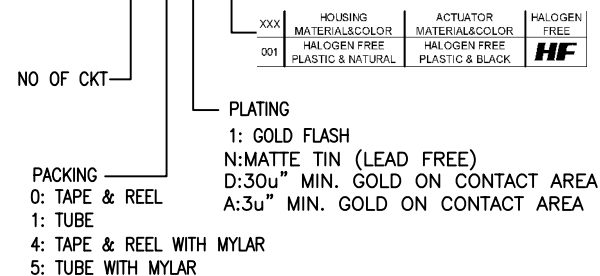
RECOMMENDED FPC/FFC DIMENSIONS
GENERAL TOLERANCE ± 0.05



NOTES:

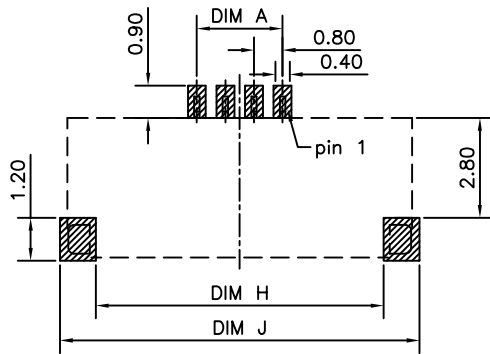
1. MATERIAL:
 - 1.1 HOUSING: THERMOPLASTIC, HIGH TEMP., UL94V-0.
 - 1.2 ACTUATOR: THERMOPLASTIC, HIGH TEMP., UL94V-0.
 - 1.3 CONTACT: COPPER ALLOY
 - 1.4 FITTING NAIL: COPPER ALLOY
2. FINISH:
 - 2.1 CONTACT:
 - 50~100u" NICKEL UNDERPLATING OVERALL.
 - 1:GOLD FLASH PLATING.
 - N:100~200u" MIN. MATTE TIN PLATING (LEAD FREE)
 - D:30u"MIN. GOLD ON CONTACT AREA.
 - A:3u"MIN GOLD PLATING ON CONTACT AREA AND GOLD FLASH PLATING ON SOLDER AREA
 - 2.2 FITTING NAIL:
 - 100~200u" MATT TIN PLATING ON SOLDER TAILS(LEAD FREE)
 - 50~100u" NICKEL UNDERPLATING OVERALL.
3. REFLOW SOLDER CAPABLE TO 260°C PER ACES SPEC.
4. SPEC. PLS. REFER TO PS-51503-XXXXX
5. PACKAGE PLS. REFER TO 51561-XXXXX-XX-TRP
6. PART NUMBER

51561-XXX X X-XXX

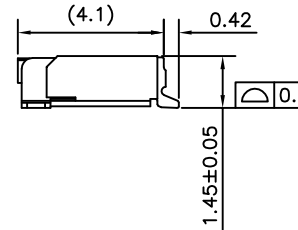
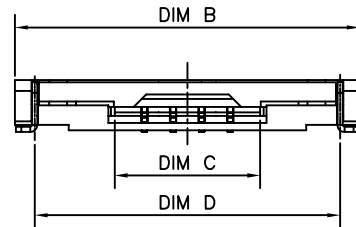
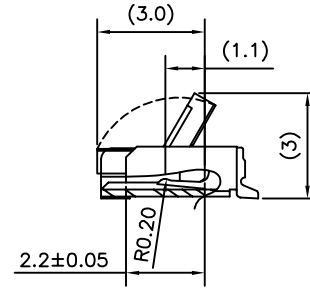
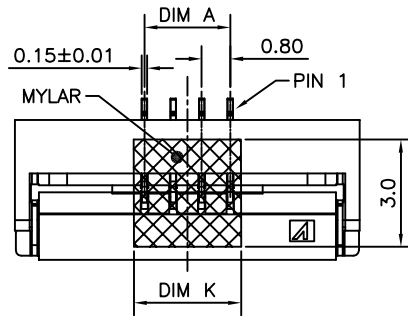


CKT	DIM A	DIM B	DIM C	DIM D	DIM E	DIM F	DIM G	DIM H	DIM J	DIM K
26	20.00	27.25	21.67	26.15	21.60	23.15	21.90	25.66	27.66	6
32	24.80	32.05	26.47	30.95	26.40	27.95	26.70	30.46	32.46	
34	26.40	33.65	28.07	32.55	28.00	29.55	28.30	32.06	34.06	

QUALITY SYMBOLS MAJOR CRITICAL GENERAL TOLERANCES (UNLESS SPECIFIED) X. ± 0.5 .X ± 0.25 .XX ± 0.15 .XXX ± 0.1 ANGLES $\pm 2^\circ$	DRAWN BY GUOFEI	DATE '22/02/11	 TITLE 0.8 PITCH EASY ON FPC Conn. H=1.5mm TYPE
	CHECKED BY BRAVE	DATE '22/02/11	
	APPROVED BY BRAVE	DATE '22/02/11	
UNITS mm		SIZE A4	DWG NO. 51561-XXXXX-XXX
SCALE 3:1	SHEET NO. 1 OF 2	REV C	PART NO. SEE NOTES



RECOMMENDED PCB LAYOUT
GENERAL TOLERANCE ± 0.05



NOTES:

1. MATERIAL:
 - 1.1 HOUSING: THERMOPLASTIC, HIGH TEMP., UL94V-0.
 - 1.2 ACTUATOR: THERMOPLASTIC, HIGH TEMP., UL94V-0.
 - 1.3 CONTACT: COPPER ALLOY
 - 1.4 FITTING NAIL: COPPER ALLOY
2. FINISH:
 - 2.1 CONTACT:
 - 50~100u" NICKEL UNDERPLATING OVERALL.
 - 1:GOLD FLASH PLATING.
 - N:100~200u" MIN. MATTE TIN PLATING (LEAD FREE)
 - D:30u"MIN. GOLD ON CONTACT AREA.
 - A:3u"MIN GOLD PLATING ON CONTACT AREA AND GOLD FLASH PLATING ON SOLDER AREA
 - 2.2 FITTING NAIL:
 - 100~200u" MATT TIN PLATING ON SOLDER TAILS(LEAD FREE)
 - 50~100u" NICKEL UNDERPLATING OVERALL.
3. REFLOW SOLDER CAPABLE TO 260°C PER ACES SPEC.
4. SPEC. PLS. REFER TO PS-51503-XXXXX
5. PACKAGE PLS. REFER TO 51561-XXXXX-XX-TRP
6. PART NUMBER

51561-XXX X X-XXX

XXX	HOUSING MATERIAL&COLOR	ACTUATOR MATERIAL&COLOR	HALOGEN FREE
002	HALOGEN FREE PLASTIC & NATURAL	HALOGEN FREE PLASTIC & BLACK	HF

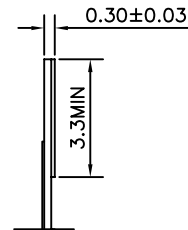
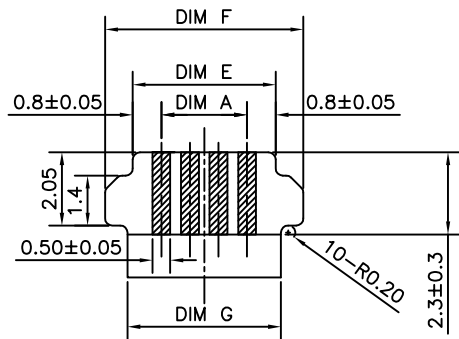
NO OF CKT

PLATING

- 1: GOLD FLASH
- N:MATTE TIN (LEAD FREE)
- D:30u" MIN. GOLD ON CONTACT AREA
- A:3u" MIN. GOLD ON CONTACT AREA

PACKING

- 0: TAPE & REEL
- 1: TUBE
- 4: TAPE & REEL WITH MYLAR
- 5: TUBE WITH MYLAR



RECOMMENDED FPC/FFC DIMENSIONS
GENERAL TOLERANCE ± 0.05

CKT	DIM A	DIM B	DIM C	DIM D	DIM E	DIM F	DIM G	DIM H	DIM J	DIM K
26	20.00	27.25	21.67	26.15	21.60	23.15	21.90	25.66	27.66	6
32	24.80	32.05	26.47	30.95	26.40	27.95	26.70	30.46	32.46	
34	26.40	33.65	28.07	32.55	28.00	29.55	28.30	32.06	34.06	

QUALITY SYMBOLS MAJOR CRITICAL	DRAWN BY GUOFEI	DATE '22/02/11	ACES ELECTRONICS
GENERAL TOLERANCES (UNLESS SPECIFIED)	CHECKED BY BRAVE	DATE '22/02/11	
X. ± 0.5 .X ± 0.25 .XX ± 0.15 .XXX ± 0.1 ANGLES $\pm 2^\circ$	APPROVED BY BRAVE	DATE '22/02/11	
	UNITS mm		SIZE A4
	SCALE 3:1	SHEET NO. 2 OF 2	DWG NO. 51561-XXXXX-XXX
		REV	PART NO. SEE NOTES